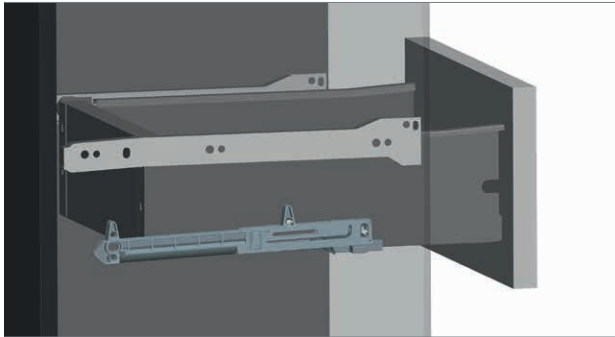
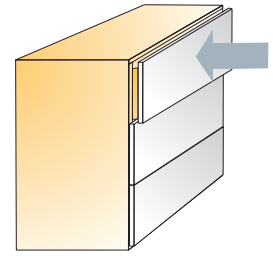


Titusoft MD

Soft Closing System for Metal Box

For metal boxes



Titusoft MD



Titusoft mechanism for factory mounting

Titusoft mechanism for retrofit mounting

Activator

Mounting jig

Item number

Grey

White

Light blue

973-0X95 →

380

973-0X39 →

380

309

973-4125 →

350

973-4126 →

Bag of 1

973-0X39-380-K2 90 Bags

- 1 Titusoft mechanism
- 1 activator
- 1 mounting jig
- 4 screws
- 1 mounting instruction sheet

Bag of 2

973-0X39-380-K1 60 Bags

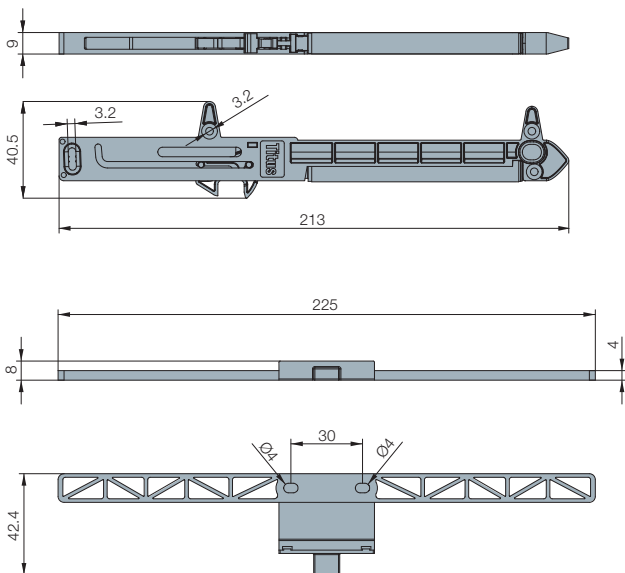
- 2 Titusoft mechanisms
- 2 activators
- 1 mounting jig
- 8 screws
- 1 mounting instruction sheet

250 Pcs

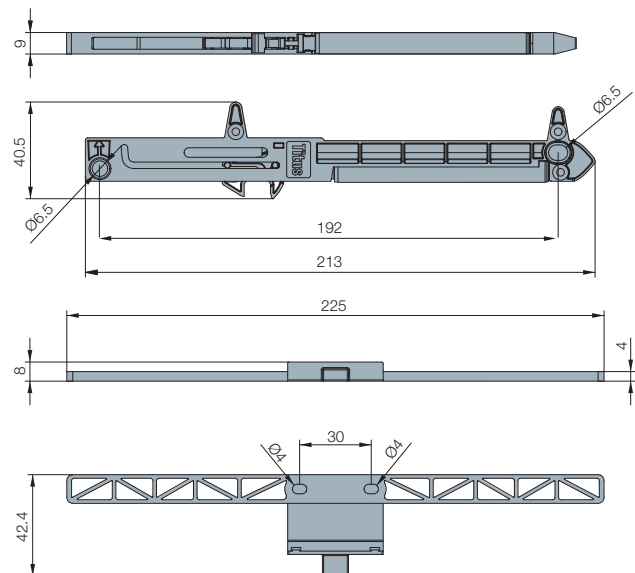
Made of plastic

Technical details

Retrofit mounting

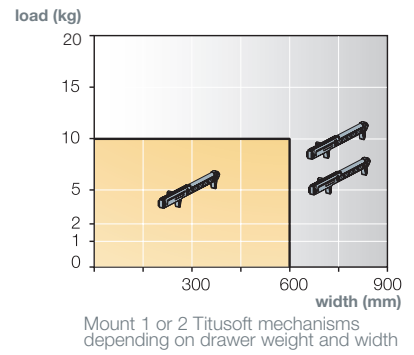


Factory mounting (system holes)



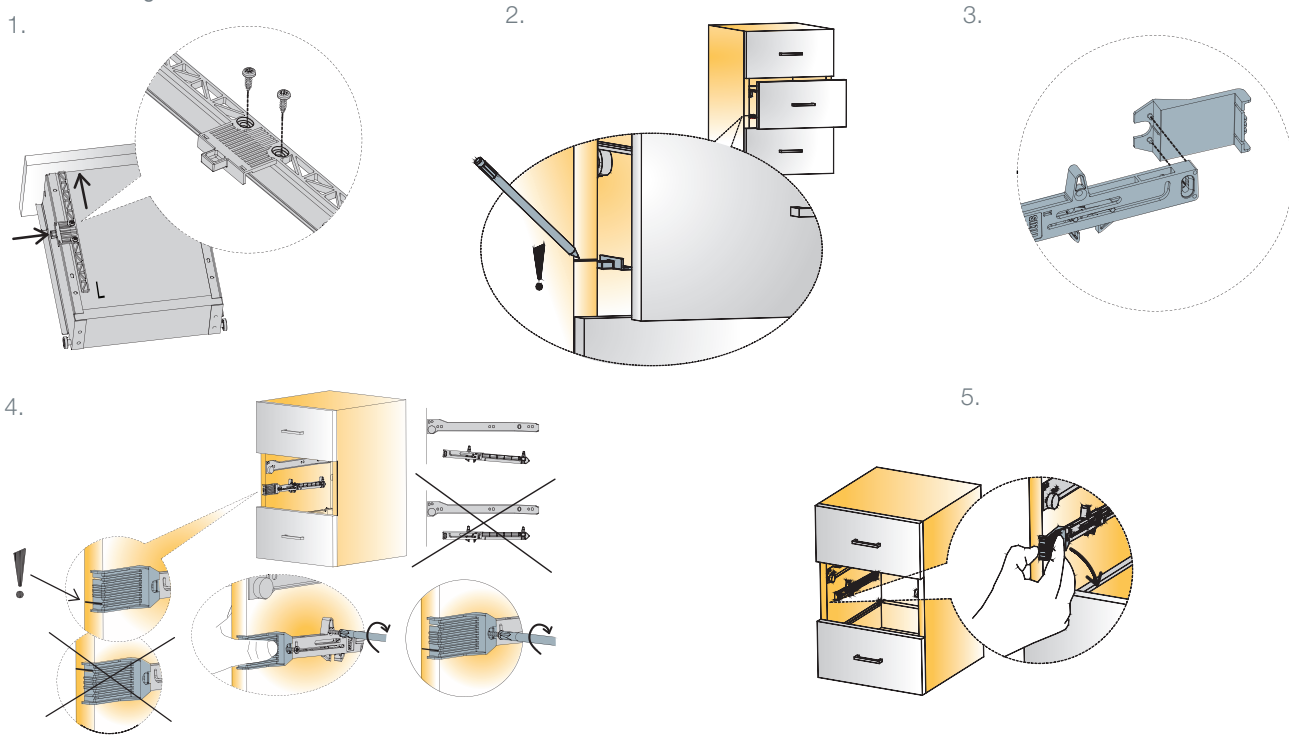
- 'One-for-all' soft closing for single skin metal boxes
- Allows for easy factory mounting or retrofit application
- Intuitive positioning
- Preserve the life-time of the drawer

Capacity chart

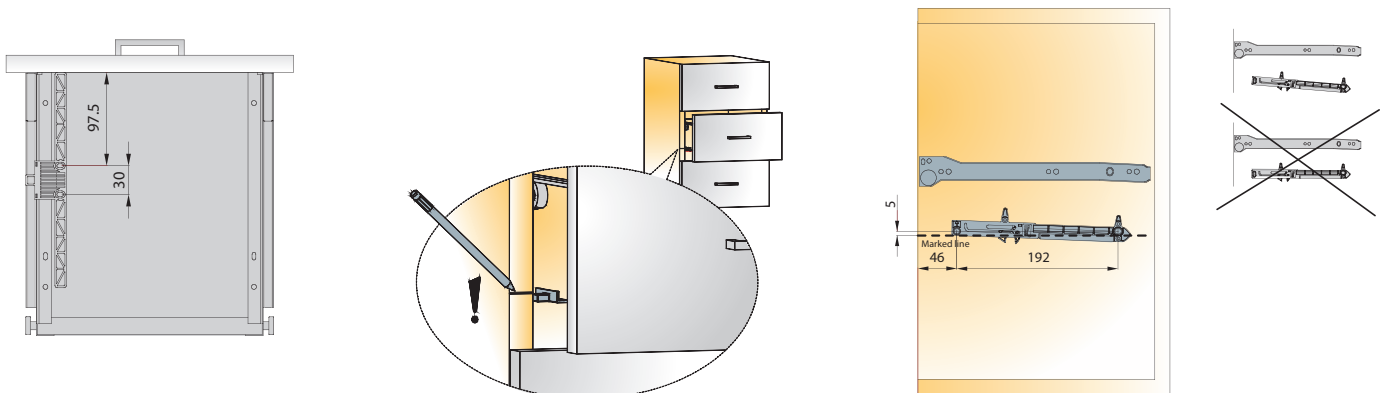


Mounting details

Retrofit mounting



Factory mounting



Further explanations → go to

<http://www.youtube.com/watch?v=Qplq8uKGBng>

A trial mounting is always recommended. Please contact Titus Group or your local distributor for further technical assistance.