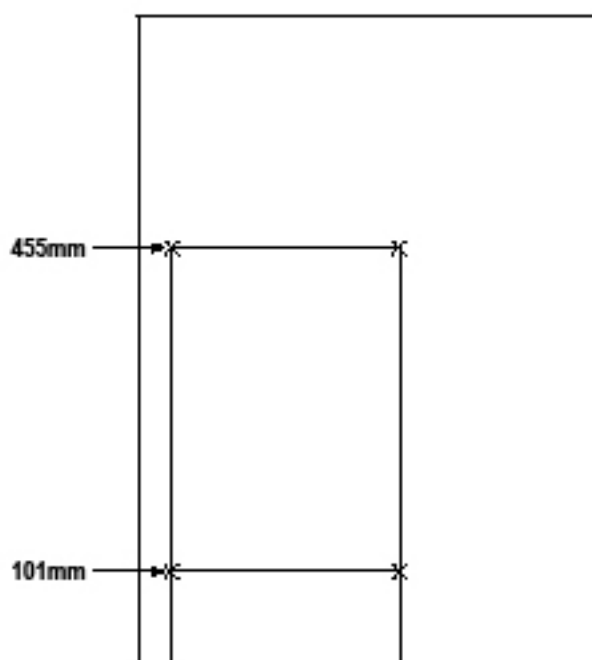
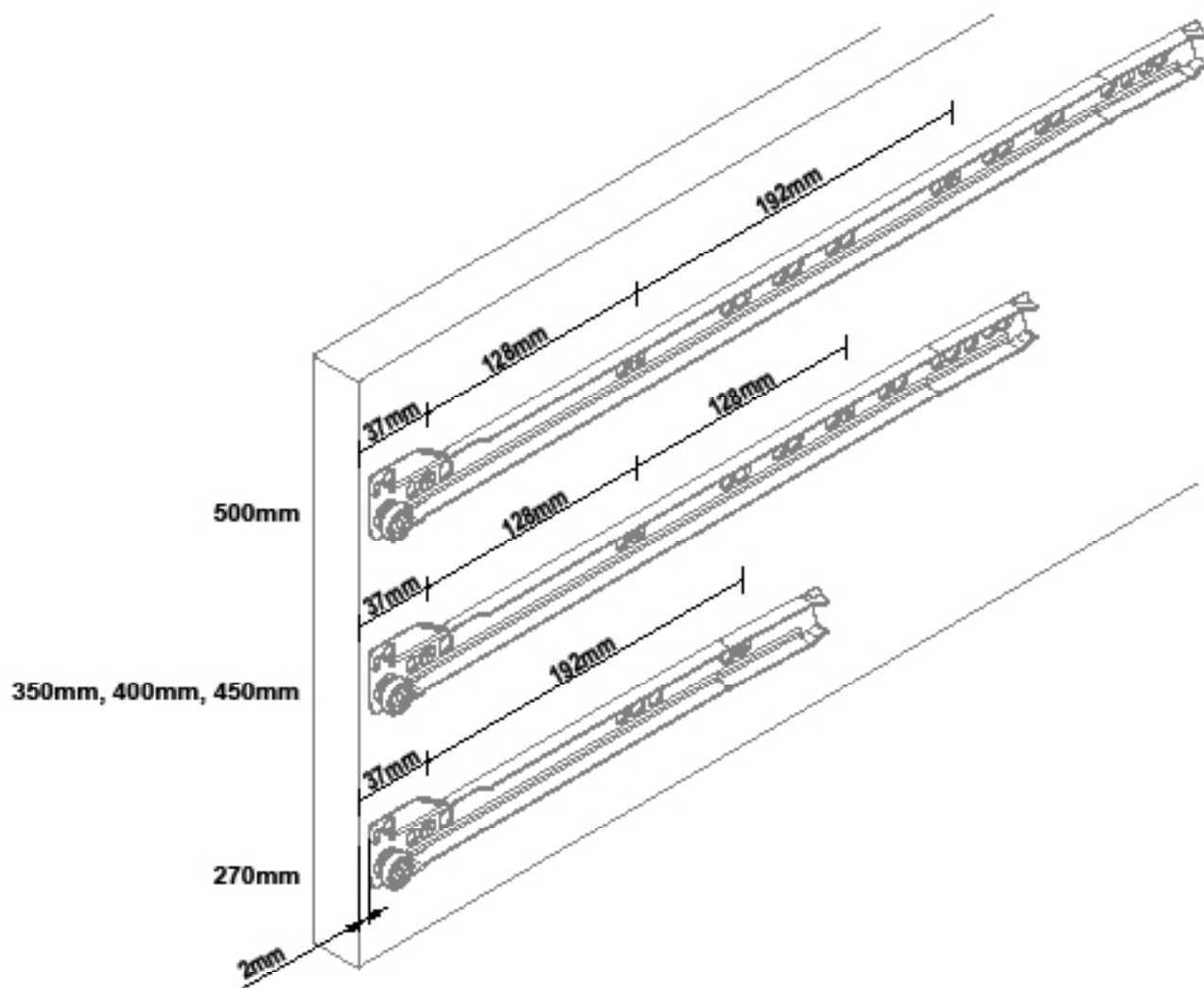
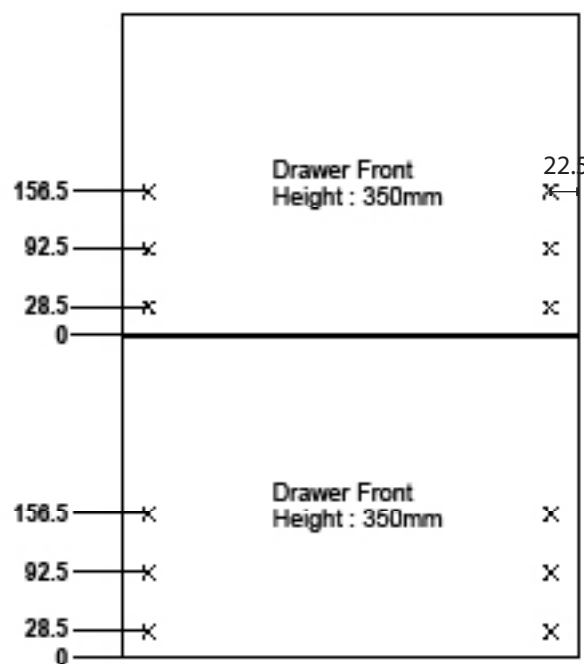


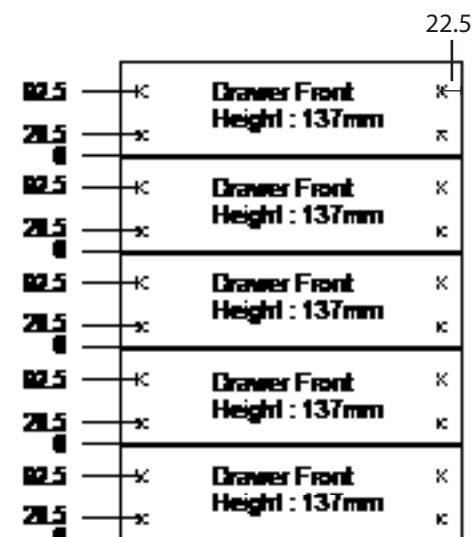
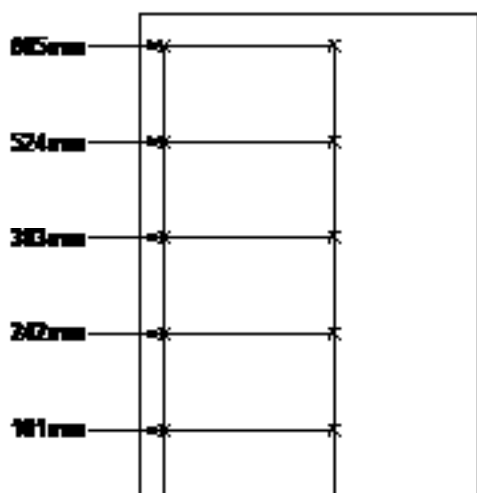
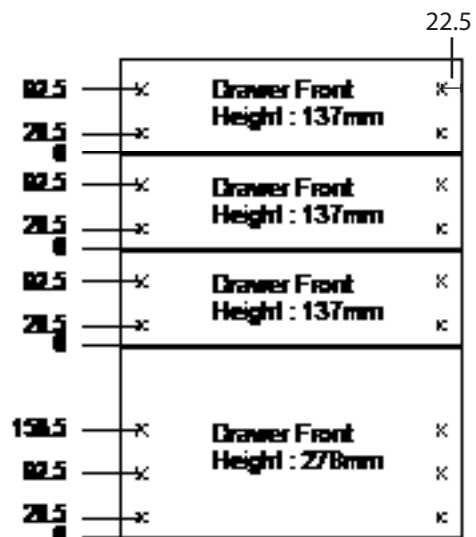
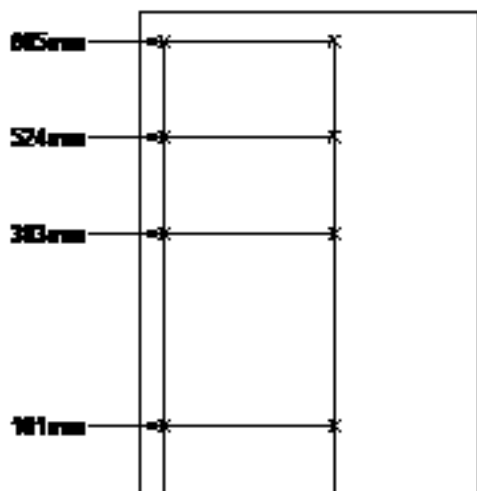
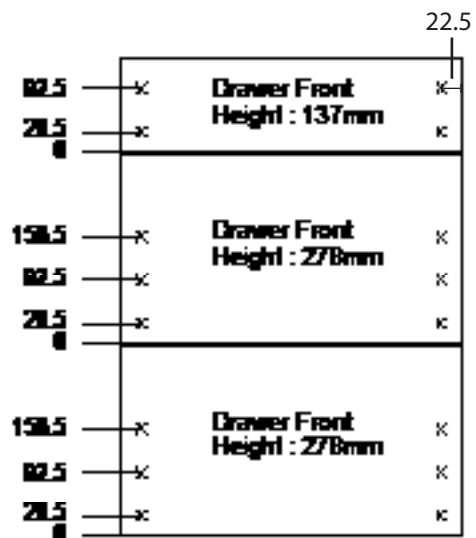
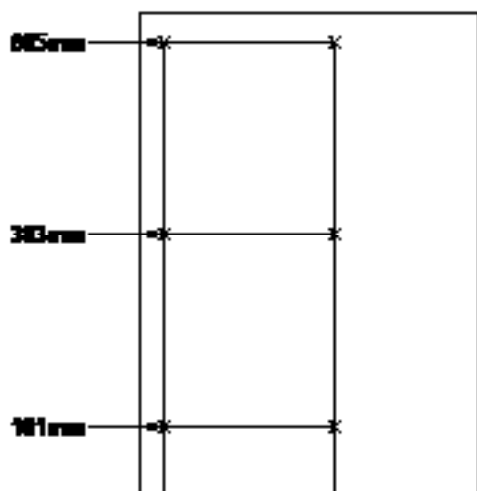
# INNOBOX PORAUSOHJEET



Cabinet Profile mounting height on Carcase Side



Drawer Front drilling position



**Cabinet Profile mounting height on Carcase Side**

**Drawer Front drilling position**